



GRINDING MACHINES
POLISHING MACHINES



The handy drill grinding machine - for easy re-sharpening of twist drills from 3 mm to 13 mm diameter

Convincing arguments: quality, efficiency and price

- Easy operation for precise and cost-efficient grinding of two-edged spiral drills
- Drill bit grinding without previous knowledge - neatly, rapidly and well
- Easy to transport
- Easy replacement of the grinding wheel
- Robust plastic housing with non-slip feet
- Diamond grinding stone with long durability for perfect grinding
- The edges of the drill bit are fixed in the collect chuck holder by means of the adjustment aid in a defined position and inserted in the grinding openings in a predetermined sequence in order to grind the edges with short rotating movements of the collet chuck holder.



Fig.: Optr grind GQ-D13

Three steps to a ground drill



Adjustment of twist drill

- Twist drill is aligned in the overhang and in the appropriate angle



Regrind twist drill

- by slight rotation from stop to stop



Reducing the chisel edge

- also by slight rotation from stop to stop

Model	GQ-D13
Item no.	3140020
Machine data	
Electrical connection	230 V / 1 Ph ~50 Hz
Motor power	80 W
Technical data	
Speed infinitely variable	4'200 min ⁻¹
Grinding wheel	Ø 78 mm
Grinding capacity drill	Ø 3 mm - Ø 13 mm
Dimensions	
Length	220 mm
Width	200 mm
Height	160 mm
Net weight	2.5 kg
Standard equipment	Diamond grinding wheel Collet attachment

Accessories	Item No
Spare diamond grinding wheel	3140021



Drill bit grinder with infinitely variable speed adjustment and exact repeatability

Convincing arguments: quality, efficiency and price

- Solid cast iron base plate with high dead weight provides for low-vibration running
- Balanced rotor with quality ball bearings ensures long service life and very smooth running
- Magnetic switch with lockable emergency-stop push button
- Exact repeatability via prism-guided feed
- Infinitely variable speed regulation for different materials
- Angle setting for all spiral drill types is possible
- Prism fixture for exact centring of the workpiece
- Rubber cover cap to protect against dust and water
- Cooling water tray and cup wheel in the basic equipment as standard

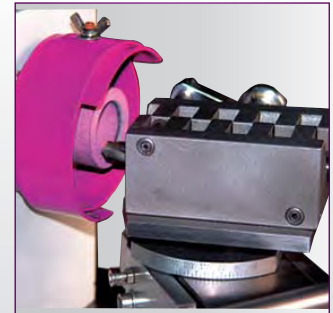


DG20 in operation



Fig.: OPTIgrind DG20

Convincing arguments...

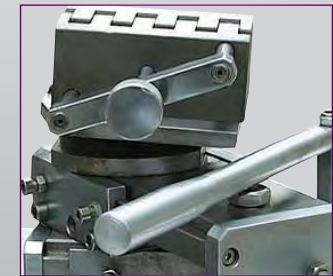


Large grinding area

- Twist drill from 3 to 20 mm

Cup wheel

- Self-dressing
- No pulling off required



Prism support

- Stable
- For exact centring and safe retaining

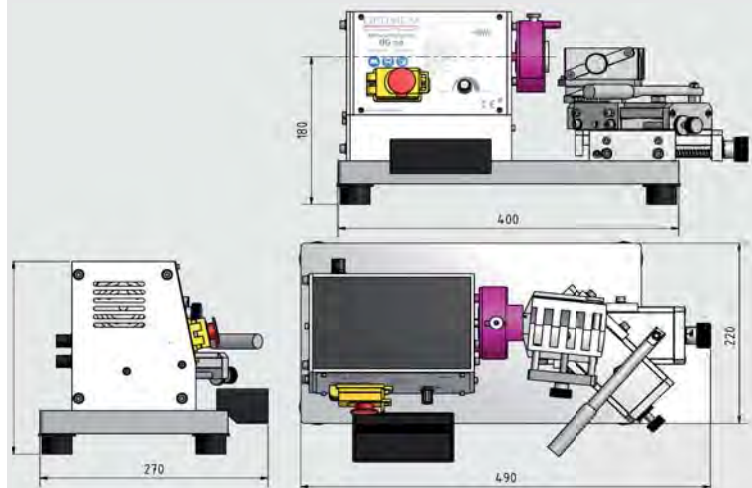
Accessories	Item No
Cup wheel red	3107120
Cup wheel green for hard metals	3107121



Model	DG 20
Item No	3100020

Machine data	
Electrical connection	230 V / 1 Ph ~50 Hz
Motor power	600 W
Technical data	
Speed infinitely variable	1'400 - 7'600 min ⁻¹
Grinding speed	16 m/s
Grinding capacity drill	Ø 3 mm - Ø 20 mm
Angle of the tip sharpening	90° - 150°
Cup wheel	
Outer Ø	40 mm
Inner Ø	26 mm
Thread Ø	M 10
Depth of the cup wheel	22 mm
Dimensions	
Length	490 mm
Width	270 mm
Height	235 mm
Net weight	26 kg
Standard equipment	
	Cooling water tray Cup wheel

Dimensions



The handy drill grinder - perfect to grind spiral drills made of HSS or hard metal

Convincing arguments: quality, efficiency and price

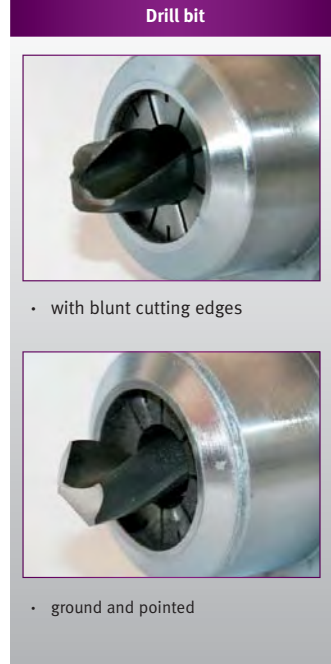
- Easy operation for precise and cost-efficient grinding of two-edged spiral drills
- Drill bit grinding without previous knowledge - neatly, rapidly and well
- Easy to transport
- Diamond grinding stone with long durability for perfect grinding
- Complete equipment with ER collet chucks in the interior of the machine
- The edges of the drill bit are fixed in the collet holder by means of the adjustment aid in a defined position and inserted in the grinding openings in a predetermined sequence in order to grind the edges with short rotating movements of the collet holder.



Fig.: Optigrind GH15T



Fig.: Optigrind GH10T



Comprehensive scope of delivery with complete range of collets



GH 15T

- 6 pcs. Collets ER 20
Sizes Ø 3 - 8 mm
- 22 pcs. Collets ER 40
Sizes Ø 8 - 30 mm



GH 10T

- 11 pcs. Collets ER 20
Sizes Ø 2 - 13 mm

Model	GH10T	GH15 T
Item No	3100110	3100115
Machine data		
Electrical connection	230 V / 1 Ph ~50 Hz	230 V / 1 Ph ~50 Hz
Motor power	180 W	450 W
Technical data		
Speed infinitely variable	5'300 min ⁻¹	5'000 min ⁻¹
Angle of the tip sharpening	90° - 135°	90° - 145°
Grinding capacity drill	Ø 2 mm - Ø 13 mm	Ø 3 mm - Ø 30 mm
Dimensions		
Length	310mm	450 mm
Width	180 mm	240 mm
Height	190 mm	270 mm
Net weight	9.5 kg	33 kg

Accessories	Item No	
Spare diamond grinding wheel GH10T	3100126	
Spare diamond grinding wheel GH15T	3100127	

Versatilely usable grinding machine for burins and tools for different tool geometries

Convincing arguments: quality, efficiency and price

- Universally applicable by versatile slewing and setting options
- Lots of slewing and setting options to manufacture gravers (cylindrical, centric, conical)
- To grind stamps, twist drills, electrodes, lathe tools, centring tips, etc.
- High precision due to robust machine body and vibration-free driven precision grinding spindle
- Easy handling and operation
- Index head with 24 locking positions
- Including 5 pcs. of collets 5c
- Adjustable extractor device



Spare grinding wheel	Item No	€ plus
Corundum	3100128	27.00
Diamond	3100129	55.00



Model	GH20T
Item No	3100125

Machine data	
Electrical connection	400 V / 3 Ph ~50Hz
Motor power	370 W

Speeds	
Speed grinding wheel, diamond	5'000 min ⁻¹
Grinding speed	max. 35 m/s
Speed motor	2'750 min ⁻¹

Travels	
Travel tool holder	140 mm
Fine adjustment tool holder	18 mm
Fine adjustment length axis	6 mm

Adjustable angle	
Vertical / rear	0° - 40°
Horizontal / taper grinding	0° - 180°
Negative angle	0° - 52°
Locking position turning angle	15° 180°

Collet attachment	
Clamping range	Ø 1 - 16 mm
Collet type	385E (5C) , DIN 6341

Dimensions	
Length x width x height	350 x 450 x 350 mm
Net weight	45 kg



GH 20T in use

Standard equipment



- Collets type 385E D=28mm, L = 89mm ; 20° DIN 6341
- Sizes 4 / 6 / 8 / 10 / 12 mm



- Corundum cup wheel Ø 100 x 50 x Ø 20 mm
- Diamond cup wheel Ø 100 x 50 x Ø 20 mm (mounted on the machine when delivered)



- Device to regrind turning tools



- Device to regrind end mills



- Device to regrind twist drills



- Operating tool

Band grinding machines of heavy and robust industrial type for rough, fine and form grinding of different materials for the continuous use

Convincing arguments: quality, efficiency and price

- Time-saving deburring of edges/cleaning of welding seams
- Solid and vibration-free construction
- Powerful motor
- Grinding table inclinable by 15° - 30°
- Continuously adjustable limit stop at the top allows rapid and comfortable start grinding of workpieces
- Large surface grinding surface, adjustable limit stops for universal use
- Operating tool in the handy holder
- Additional safety equipment



Rollers

- Rubberised
- Quiet running
- No slipping of the band

Band run setting

- Without tools - only adjustable by means of the knurled screw



Plane grinding surface

- End-to-end and opened to the rear
- Also best suitable to machine longer workpieces

Spark protection



High belt running speed

- 33 m/sec.
- Thus quick material removal

Workpiece support

- Adjustable inclination
- Allows grinding in a suitable angle



Emergency stop push button

- Switch plug combination 400V
- Hexagon socket key to clamp the grinding belt ready-to-hand



Fig.: OPTIgrind BSM 150



Fig.: OPTIgrind BSM 75 with optional workpiece support

Technical data and dimensions

Model	BSM 75	BSM 150
Item No	3321075	3321150
Features		
Electrical connection	400 V / 3 Ph ~50 Hz	400 V / 3 Ph ~50 Hz
Motor power	3 kW	4 kW
Technical data		
Speed	3'000 min ⁻¹	3'000 min ⁻¹
High belt running speed	33 m/sec.	33 m/sec.
Grinding belt		
Dimension grinding belt	75 x 2'000 mm	150 x 2'000 mm
Dimensions		
Nominal size suction nozzle inside	Ø 57 mm	Ø 57 mm
Nominal size suction nozzle outside	Ø 60 mm	Ø 60 mm
Dimensions length x width	500 x 995 mm	575 x 995 mm
Height: Pivot bearing bottom	1'045 mm	1'045 mm
Height: Pivot bearing top	1'135 mm	1'135 mm
Net weight	102 kg	125 kg
Standard equipment		
	Grinding belts 60	
	Hexagon wrench	

Workpiece support	Item No
• Continuously adjustable; allows rapid start grinding of the workpieces	
For BSM 75	3357881
For BSM 150	3357891

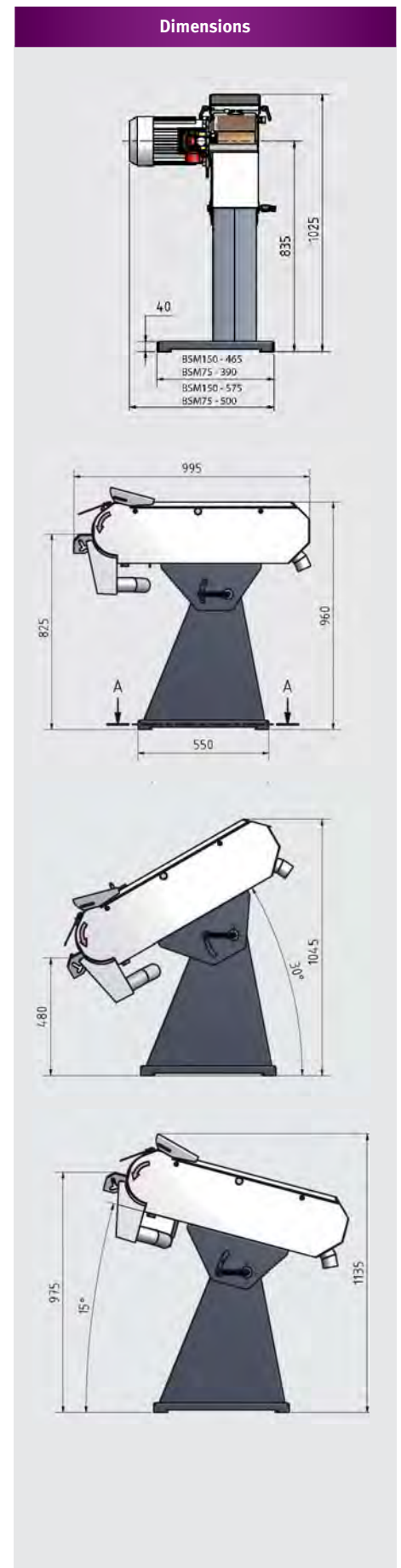


Grinding belts BSM 75*	Item No
Grain 40	3357642
Grain 60	3357644
Grain 80	3357646
Grain 120	3357648

Grinding belts BSM 150*	Item No
Grain 40	3357672
Grain 60	3357674
Grain 80	3357676
Grain 120	3357678



* Packing and price unit 5 pcs



Premium bench grinders. GZ - DD models with substructure and integrated suction system



Convincing arguments: quality, efficiency and price

- **10 Year OPTIMUM-warranty***
- Heavy-duty industrial grinder absorbed due to high weight the already low vibration
- Also suitable for very strong shear forces on the grinding wheels
- Maintenance-free, long lasting induction motor with quiet operation
- Double-sided machined grinding wheel clamping flanges
- Housing made of cast iron
- Spark protection
- Solid, adjustable workpiece support

GZ-DD model:

- Integrated suction system with a fan made of aluminium and self-cleaning vanes
- Dust bag made of self-extinguishing fabric
- Robust substructure with a water bowl



Fig.: GZ 25DD with optional grinding wheel

BASE (without suction)	
GZ 20D	3091120
• L x W x H: 400 x 370 x 760 mm	
• Weight 33 kg	
GZ 25D	3091122
• L x W x H: 460 x 430 x 760 mm	
• Weight 40 kg	
GZ 30D	3091124
• L x W x H: 460 x 430 x 760 mm	
• Weight 52 kg	

GRINDING WHEEL	
Corundum grinding wheel	
Hardness M - white	
Made in Germany	
GRINDING WHEEL GZ 20D/DD	
K 36	3098021
K 60	3098023
K 80	3098025
GRINDING WHEEL GZ 25D/DD	
K 36	3098031
K 60	3098033
K 80	3098035
GRINDING WHEEL GZ 30D/DD	
K 36	3098041
K 60	3098043
K 80	3098045

ELECTRONICAL BRAKE	
	3091099
• Controlled stop	
• Including factory assembly	



„Guarantee provisions“ on page 219

Model	GZ 20D	GZ 25D	GZ 30D
Item no.	3091010	3091015	3091020
Model	GZ 20DD	GZ 25DD	GZ 30DD
Item no.	3091040	3091045	3091050
Machine data			
Electrical connection	400 V / 3 Ph ~50 Hz	400 V / 3 Ph ~50 Hz	400 V / 3 Ph ~50 Hz
Motor power	750 W	1.1 kW	1.8 kW
Grinding wheels			
Dimensions	Ø 200 x 25 Ø 20 mm	Ø 250 x 30 Ø 25 mm	Ø 300 x 35 Ø 30 mm
Speeds	2'800 min ⁻¹	1'400 min ⁻¹	1'400 min ⁻¹
Dimensions			
L x W x H GZ types	550 x 290 x 360 mm	670 x 340 x 410 mm	810 x 420 x 560 mm
L x W x H GZ-DD types	800 x 710 x 1'300 mm	800 x 710 x 1'300 mm	800 x 1'200 x 1'300 mm
Net weight GZ types	25 kg	44.8 kg	64.5 kg
Net weight GZ-DD types	63.7 kg	91 kg	124 kg

PREMIUM

Premium combined grinding machines for workshops, steel construction companies



Convincing arguments: quality, efficiency and price

- **10 Year OPTIMUM-warranty***
- Heavy-duty industrial combi grinder absorbed due to high weight the already low vibration
- Also suitable for very strong shear forces on the grinding wheel and the brush
- Maintenance-free, long lasting induction motor with quiet operation
- Housing made of cast iron
- Solid, adjustable workpiece support



Fig.: GZ 20C with optional grinding wheel and brush

- Multi-purpose wire brush made of high strength steel wire in the accessory available in different strengths
- Pivoting brush housing with extraction nozzle to connect an extraction device

"Warranty terms" on page 219

Model	GZ20C	GZ25C
Item no.	3091070	3091075
Machine data		
Electrical connection	400 V / 3 Ph ~50 Hz	400 V / 3 Ph ~50 Hz
Motor power	750 W	1.1 kW
Grinding wheels		
Dimensions	Ø 200 x 25 Ø 20 mm	Ø 250 x 30 Ø 25 mm
Speeds	2'800 min ⁻¹	1'400 min ⁻¹
Dimensions		
Length x width x height	650 x 300 x 360 mm	850 x 340 x 410 mm
Net weight	26.5 kg	40.7 kg

BASE (without suction)	
GZ 20C	3091120
• L x W x H: 400 x 370 x 760 mm	
• Weight 33 kg	
GZ 25C	3091122
• L x W x H: 460 x 430 x 760 mm	
• Weight 40 kg	



GRINDING WHEEL	
• Corundum grinding wheel	
• Hardness M - white	
• Made in Germany	
GRINDING WHEEL GZ 20C	
K 36	3098021
K 60	3098023
K 80	3098025
GRINDING WHEEL GZ 25C	
K 36	3098031
K 60	3098033
K 80	3098035

CIRCULAR BRUSH	
• High-tensile steel wire	
• Made in Germany	
GZ 20C	
0.35 mm	3098081
0.5 mm	3098082
GZ 25C	
0.3 mm	3098086
0.5 mm	3098087

ELECTRONIC BRAKE	
	3091099
• Controlled stop	
• Including factory assembly	



PREMIUM

Preamble
Drilling
Turning
Milling
Sawing
Grinding
Polishing
Lamps
Measuring
CNC
Index

Bench grinder made by OPTIMUM - a quality product for crafts and industry



Convincing arguments: quality, efficiency and price

- Heavy long-life industrial type with maintenance-free motor for permanent use
- Housing made of aluminium continuous casting
- Balanced rotor with quality ball bearings ensures long service life and very smooth running
- Spark protection on each grinding wheel reduces flying sparks
- Solid, adjustable workpiece support
- Inspection glasses made of break-proof material
- Vibration-absorbing rubber feet
- Two universal corundum grinding wheels



Grinding wheels Regular corundum rough K 36	
Ø 150 x 20 Ø 16 mm	3107150
Ø 175 x 25 Ø 32 mm	3107180
Ø 200 x 30 Ø 32 mm	3107210
Ø 250 x 40 Ø 32 mm	3107250
Ø 300 x 50 Ø 75 mm	3107270

Grinding wheels Regular corundum fine K 80	
Ø 150 x 20 Ø 16 mm	3107155
Ø 175 x 25 Ø 32 mm	3107185
Ø 200 x 30 Ø 32 mm	3107215
Ø 250 x 40 Ø 32 mm	3107255
Ø 300 x 50 Ø 75 mm	3107275

Grinding tool SL	
SL-1 for GU 20	3107010
SL-2 for Gu 25	3107011

available from July

Model	GU 15	GU 18	GU 20	GU 25
Item No	3101505	3101510	3101515 (230 V)	-
Item No	-	-	3101520 (400 V)	3101525
Machine data				
Electrical connection	230 V / 1 Ph ~50 Hz	230 V / 1 Ph ~50 Hz	230 V or 400V	400 V / 3 Ph ~50 Hz
Motor power	450 W	450 W	600 W	1.5 kW
Grinding wheels				
Dimensions	Ø 150 x 20 Ø16 mm	Ø 175 x 25 Ø 32 mm	Ø 200 x 30 Ø 32 mm	Ø 250 x 40 Ø 32 mm
Speeds	2'850 min ⁻¹	2'850 min ⁻¹	2'850 min ⁻¹	2'850 min ⁻¹
Dimensions				
Length x width x height	465 x 316 x 302 mm	456 x 316 x 302 mm	510 x 354 x 332mm	661 x 391 x 382 mm
Net weight	10,7 kg	12,3 kg	18,5 kg	32,5 kg
Equipment	1 grinding wheel regular corundum rough K 36 and one fine K80			

Universal grinding machines with grinding tool made by OPTIMUM speak for functionality

Convincing arguments: quality, efficiency and price

- Robust and stable universal grinders with sanding belt and grinding wheel or a variety of materials
- Heavy long-life industrial type with maintenance- free motor for permanent use
- Heavy type of aluminium continuous casting
- Large, heavy fixing flanges and thus high true running accuracy of the discs
- Graphite support avoiding friction and heat
- Limit stop at the top allows rapid and comfortable start grinding of the workpieces
- Belt running setting without tools - simply adjustable with a knurled screw
- With standard Suction nozzle on grinding wheel and grinding tool, for connected to a suction unit



Wall unit	3107050
• for GU20 - GU 25	
• Cooling water tray	
• L x W x H: 332x 300 x 230 mm	



Machine bases	
SM	3107100
• for GU20 - GU 25	
• L x W x H: 320 x 270 x 820 mm	



SSM	3107101
• for GU20 - GU 25	
• Shelf and cooling water tray	
• L x W x H: 345 x 300 x 785 mm	

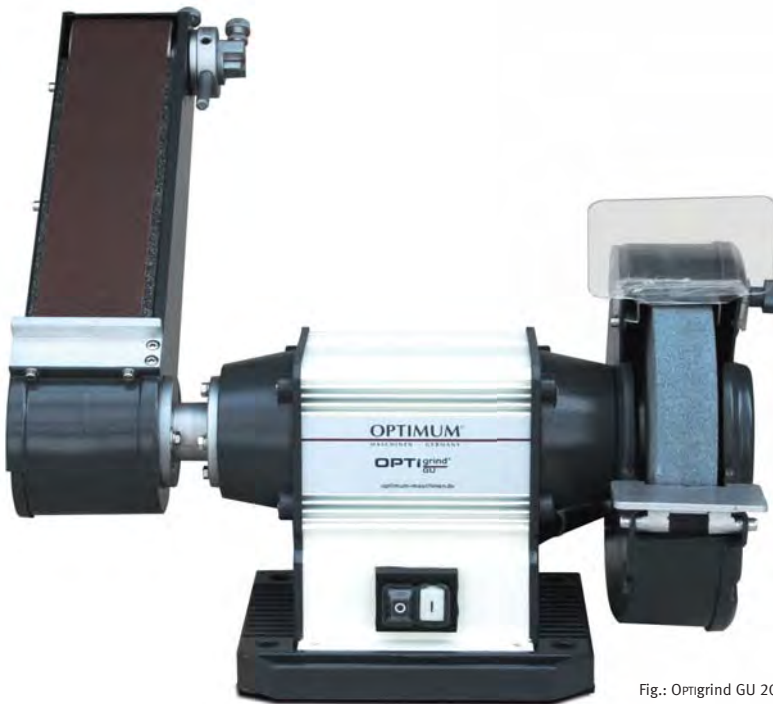


Fig.: Optigrind GU 20S

available from July

Model	GU 20S	GU 25S
Item No	3101570 (230 V)	-
Item No	3101575 (400 V)	310 1580

Features	GU 20S	GU 25S
Electrical connection	230 V/1 Ph or 400V/3Ph	400 V / 3 Ph ~50 Hz
Motor power	600 W	1.5 KW
Grinding wheels		
Grinding wheel size	Ø 200 x 30 x Ø 32 mm	Ø 250 x 40 x Ø 32 mm
Grinding tool		
Grinding belt length x width	75 x 762 mm	75 x 1'016 mm
Slewing range for grinding tool	90°	90°
Nominal size suction nozzle	Ø 32 mm	Ø 32 mm
Support plate	87 x 180 mm	87 x 305 mm
Speed	2'850 min. ⁻¹	2'850 min. ⁻¹
Dimensions L x W x H:	665 x 577 x 382 mm	665 x 577 x 382 mm
Net weight	20,7 kg	31,5 kg
Standard equipment	Grinding wheel regular corundum Grinding belt K80	

Grinding belt for SL-1/GU 20S (75 x 762 mm)	
Grain 40	3357612
Grain 60	3357614
Grain 80	3357616
Grain 120	3357618

Grinding belt for SL-1/GU 25S (75 x 1016 mm)	
Grain 40	3357682
Grain 60	3357684
Grain 80	3357686
Grain 120	3357688

Preamble
Drilling
Turning
Milling
Sawing
Grinding
Polishing
Lamps
Measuring
CNC
Index

Disc wheel grinder for surface treatment of metals

Convincing arguments: quality, efficiency and price

- Versatile fields of application
- For rough, fine and form grinding
- Solid and stable machine body
- Balanced aluminium disc plate for smooth running
- Powerful motor
- A glued-on grinding disk is included in the original equipment

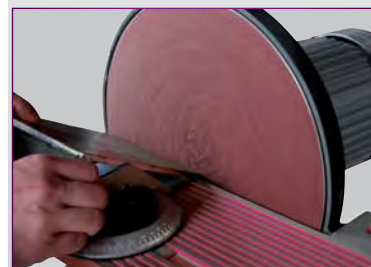


Fig.: Optigrind TS 305

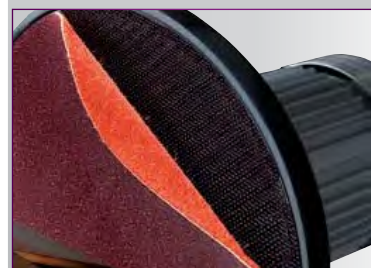
Convincing arguments...



- Serial suction nozzle with two diameters to be connected to a suction unit
- Nominal sizes outside $\pm 30/38$ mm



- Mitre gauge as standard slewable to $\pm 60^\circ$
- Grinding table inclinable to $\pm 45^\circ$



- Velcro supports included in the accessory and grinding wheels of very good adhesion can be easily replaced

Model	TS 305
Item No	3310305

Machine data	
Electrical connection	230 V / 1 Ph ~50 Hz
Motor power	900 W
General information	
Grinding disk diameter	305 mm
Speed	1'420 min ⁻¹
Table support	155 x 440 mm
Adjusting the angular stop	$\pm 60^\circ$
Grinding table (inclinable)	$\pm 45^\circ$
Dimensions	
Length x width x height	440 x 445 x 365 mm
Net weight	30 kg
Standard equipment	
	Adjustable angular stop Grinding wheel glued on grinding disk

Velcro support



Pack of 5 pieces

Accessories	Item No
Velcro support	3357801

Grinding wheels - Velcro*	
Grain 40	3357854
Grain 60	3357856
Grain 80	3357858
Grain 100	3357860
Grain 120	3357862
Grain 150	3357865

* Packing and price unit 5 pcs.

Universally usable belt and disc grinding machine with slewable grinding arm to deburr and to grind surfaces and contours

Convincing arguments: quality, efficiency and price

- Manually adjustable grinding belt tension
- Grinding belt easily replaceable
- Fine adjustment for parallel belt running
- Slewable grinding table adjustable via clamping lever
- Easy-to-operate safety switch according to IP 54 with lockable emergency stop push button
- Powerful motor
- With suction nozzles as standard
- Grinding wheels with Velcro support have very good adhesion and can be easily replaced



Fig.: OptigrindDBS75

Grinding belts*

Size 75 x 1'180 mm

Grain 40	3357622	
Grain 60	3357624	
Grain 80	3357626	
Grain 120	3357628	



Grinding disc*

Ø 150 mm

Grain 40	3357832	
Grain 60	3357834	
Grain 80	3357836	
Grain 120	3357838	



Velcro cup	3357802	
-------------------	---------	--

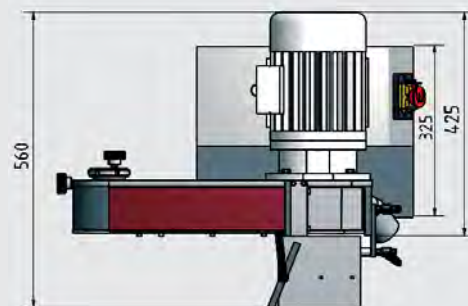
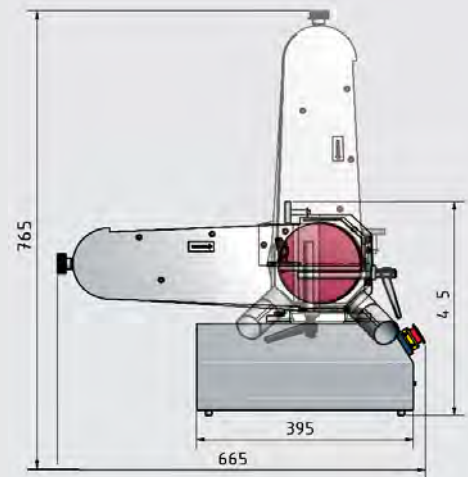
for grinding disk

* Packing and price unit 5 pcs.

Model	DBS 75
Item No	3311075

Machine data	
Electrical connection	400 V / 3 Ph ~50 Hz
Motor power	1.1 kW
Speed	1'410 min ⁻¹
Belt running speed	11 m/sec.
Grinding belt	
Dimension grinding belt	75 x 1'180 mm
Grinding disc	
Dimension grinding disk	Ø 150 mm
Dimensions	
Nominal size suction nozzle inside	Ø 47 mm
Nominal size suction nozzle outside	Ø 50 mm
Support plate	85 x 215 mm
Swivel range belt grinding table	90°
Length x width x height	665 x 560 x 405 (765) mm
Net weight	62 kg
Standard equipment	
	Grinding belts 60
	Grinding disc 60

Dimensions



Preamble
Drilling
Turning
Milling
Sawing
Grinding
Polishing
Lamps
Measuring
CNC
Index



Polishing machines for the finest surface treatment of metal workpieces

Convincing arguments: quality, efficiency and price

- Heavy, long-life industrial type with maintenance-free motor
- Housing made of aluminium continuous casting
- Balanced rotor with quality ball bearings ensures long service life and very smooth running
- Vibration-absorbing rubber feet
- Two wide polishing wheels

Balanced rotor

- Long service life
- High smooth running
- Quality ball bearing

Standard equipment

- Polishing wheel smooth
- Polishing wheel hard



Fig.: GU 20P

Model	GU 20P	GU 25P
Item No (230 V)	3101540	-
Item No (400 V)	3101545	3101550

Machine data	GU 20P	GU 25P
Electrical connection	230 V/1 Ph or 400V/3Ph	400 V / 3 Ph ~50 Hz
Motor power	600 W	1,5 kW
Technical data		
Speed	2'850 min ⁻¹	2'850 min ⁻¹
Dim. polishing wheel	Ø 200 x 20 x Ø 16 mm	Ø 250 x 25 x Ø 20 mm
Dimensions		
Length	591 mm	591 mm
Width	230 mm	326 mm
Height	292 mm	280 mm
Weight	10,6 kg	17,4 kg
Standard equipment	Polishing wheel smooth Polishing wheel hard	

Wall unit	3107050
-----------	---------

- Cooling water tray
- Dimensions L x W x H: 332 x 300 x 230 mm



Machine substructure	3107100
----------------------	---------

- Dimensions L x W x H: 320 x 270 x 820 mm



Machine substructure SSM	3107101
--------------------------	---------

- Shelf and cooling water tray
- Dimensions L x W x H: 345 x 300 x 785 mm



Polishing wheels hard

Ø 200 x 20 Ø 16 mm	3107321
Ø 250 x 25 Ø 20 mm	3107331



Polishing wheel smooth

Ø 200 x 20 Ø 16 mm	3107320
Ø 250 x 25 Ø 20 mm	3107330

